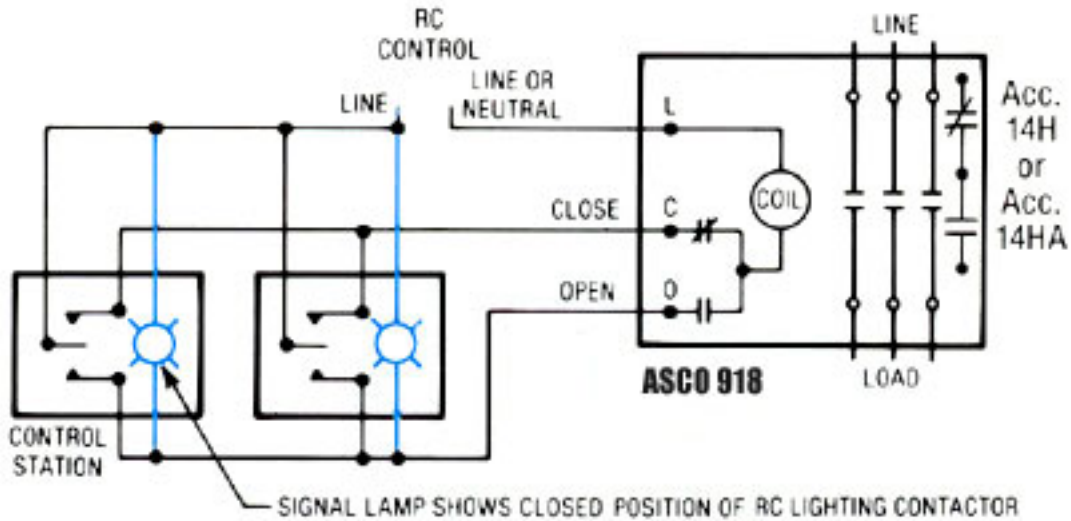


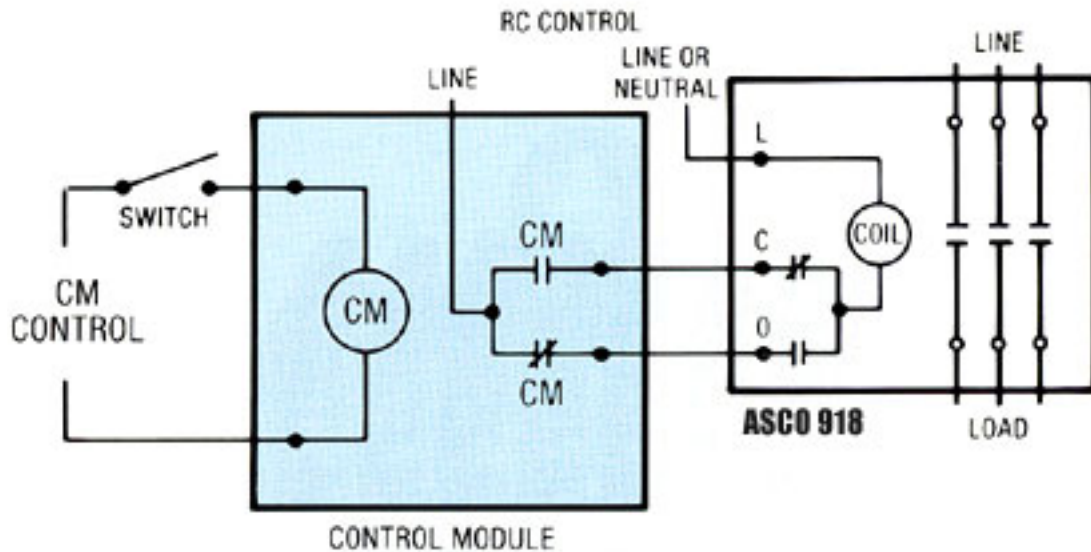
ASCO 918 Lighting Contactors Drawing & Wiring Diagrams

Typical wiring diagrams for Standard and accessory control situations

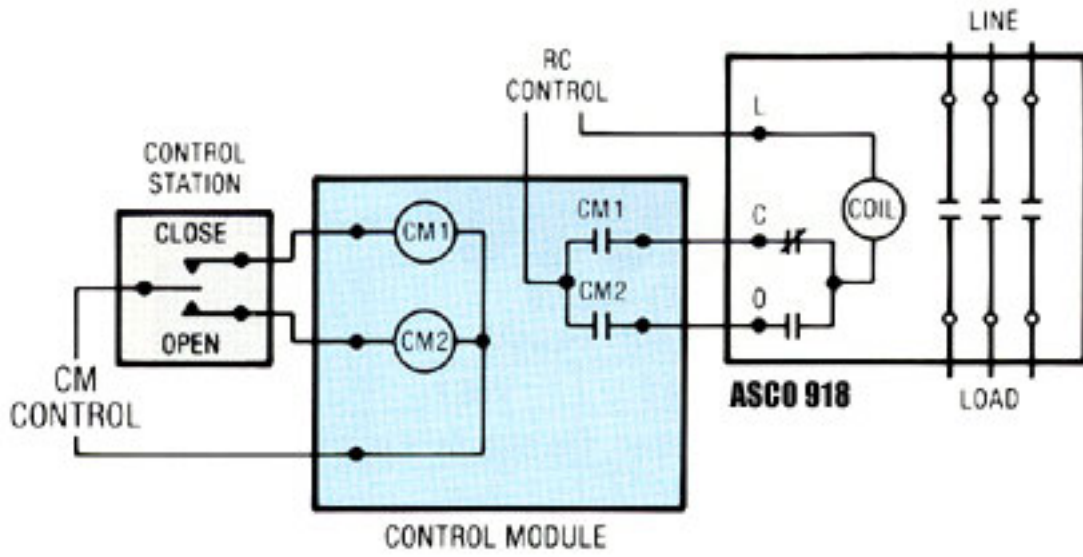
Standard Wiring



Accessory 47 Two Wire Control



**Accessory 48
Three Wire Control**



**Accessory 49
Stop/Start Control**

